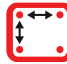









## Full Motion | Large articulated arm TH-3270-UFM

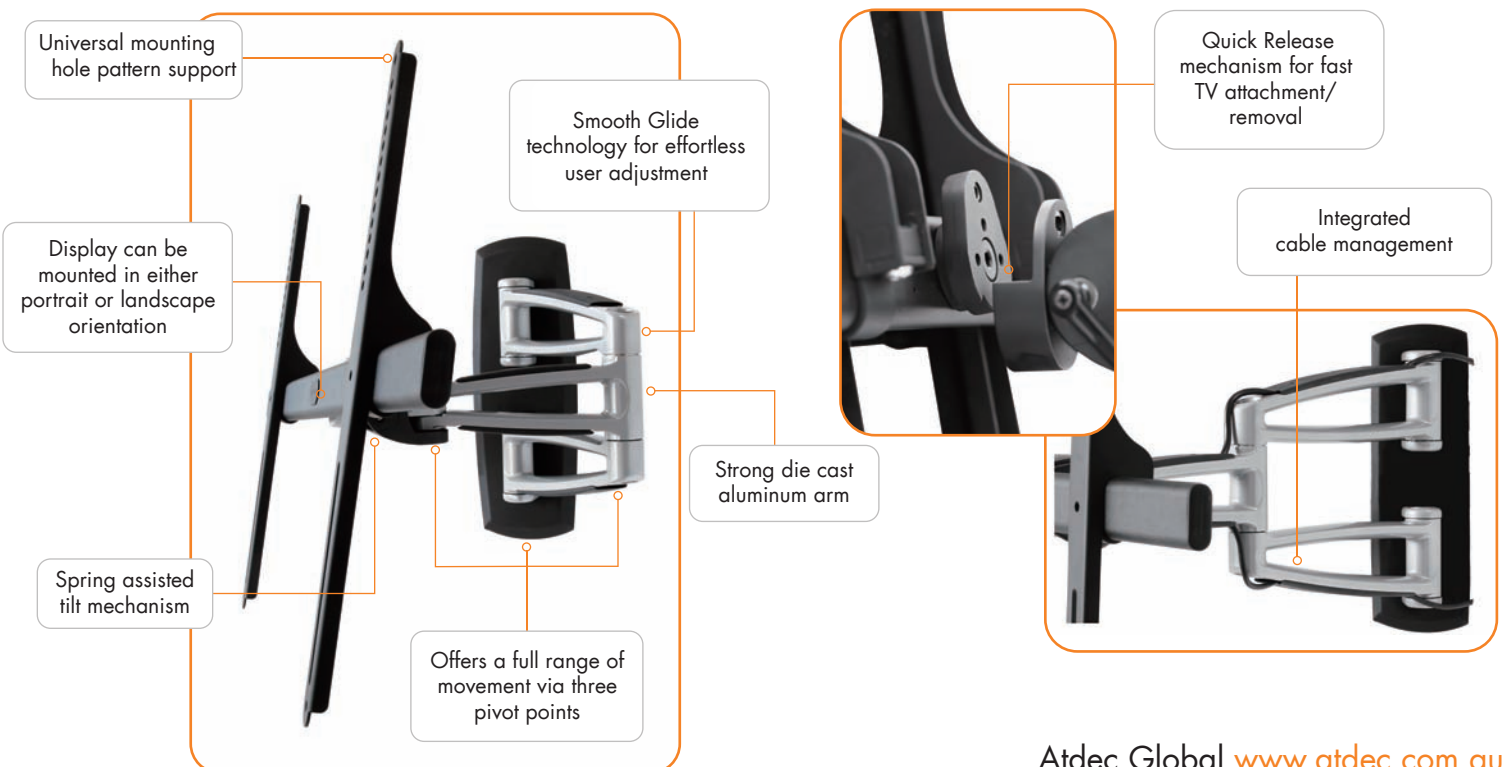
The Large Articulated Arm is a cutting edge wall mount which combines a high weight capacity with superior operational flexibility and easy position adjustment. The Full Motion design with Atdec Smooth Glide™ technology allows even the heaviest display to be easily extended from the wall and rotated to the required viewing position. The display bracket features Universal mounting hole support for compatibility with the widest possible range of monitors and television screens. The removable bracket enables easy installation and maintenance with selectable horizontal or portrait mounting. Once installed, your guaranteed a quality professional finish with fully integrated cable management, a dress cover to hide the wall connection and facility for fine levelling adjustment of the screen.

-  Suits mounting hole patterns 150-805mm (6-32") W x 140-500mm (5.5-19.5") H
-  Flexible wall mount
-  Suits displays up to 65kgs (143lbs)
-  Articulated arm design
-  User adjustable tilt with spring loading
-  Detachable mounting head
-  User adjustable pan
-  Selectable installation orientation



### Product key features:

- Suits a wide range of installation and usage situations
- Allows display installation in either a landscape or portrait orientation
- Comes pre-assembled with installation templates to reduce set-up time
- Articulated design enables a centralised seated position with wall extension from 155mm (6.1") to 635mm (25").
- Allows 180° rotation at the wall, 360° at the articulation and 180° at the display head
- Detachable mounting head enables easy installation and maintenance with a security screw (provided) to deter unauthorized removal.
- Allows tilt adjustment from -10° to +20° with spring loading for easy user operation
- Allows +/-5° horizontal adjustment for screen levelling
- Integrated cable management
- Comes with mounting hardware to enable masonry or timber stud wall installation
- Durable construction with 10 year warranty



## Product information, single unit

Model code	Load capacity	Material	Color
TH-3270-UFM	65kg (143lbs)	Die cast aluminium arm, steel wall plate and display bracket, plastic trim	Matt silver with black trim

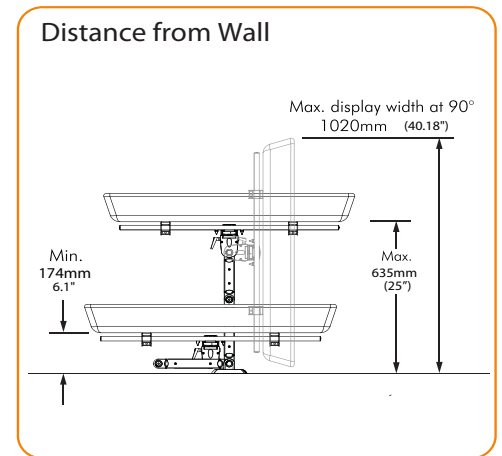
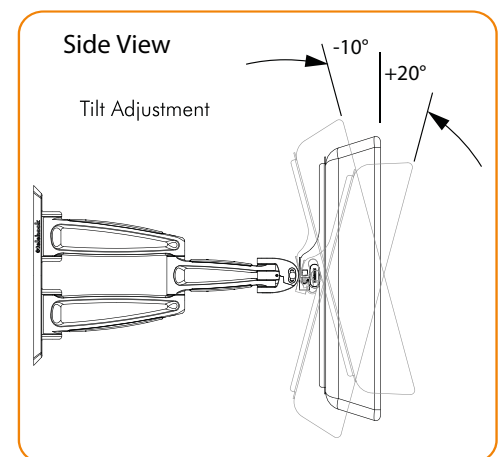
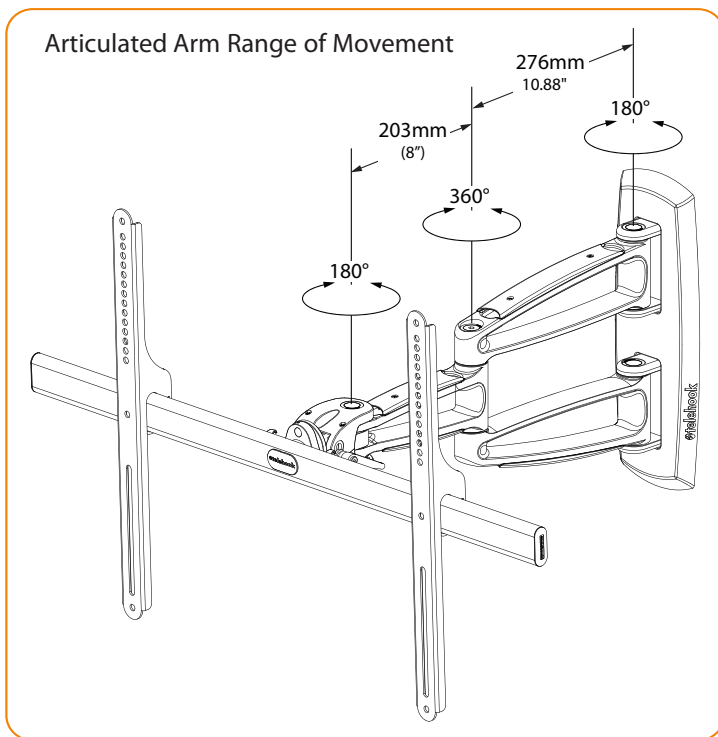
## Package information, single unit

Size	Ship weight	UPC code	Contents
88cm x 43.2cm x 16cm (34.5" x 16.75" x 6.5")	11.92kg (26.6lbs)	881493004658	Mount (pre-assembled) with wall cover, security screw, install guide, install templates, display and wall attachment hardware

## Package information, master pack

Size	Ship weight	UPC	Units per master pack
90cm x 45cm x 36cm (35.5" x 17.75" x 13.75")	25.4kg (56.6lbs)	881493004726	2

## Technical drawings



## Other models in this range

TH-1032-VFM	Low weight Full Motion swing arm
TH-1040-VFM	Low weight Full Motion articulated arm
TH-2050-VFM	Medium weight Full Motion articulated arm
TH-3060-SAU	High weight swing arm (silver)